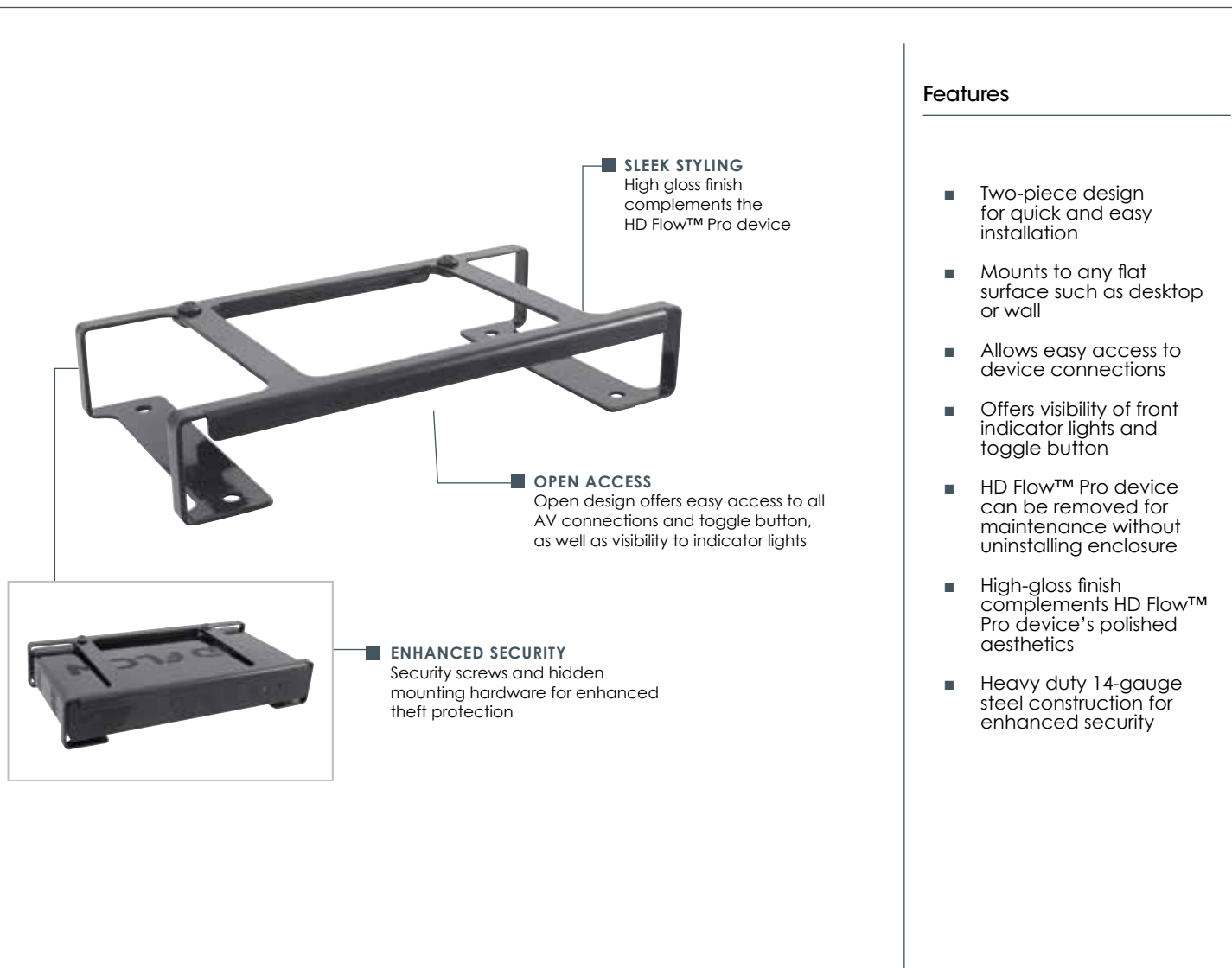


Security Enclosure

For use with HDS100 and HDS200 models



■ **SLEEK STYLING**
High gloss finish complements the HD Flow™ Pro device

■ **OPEN ACCESS**
Open design offers easy access to all AV connections and toggle button, as well as visibility to indicator lights

■ **ENHANCED SECURITY**
Security screws and hidden mounting hardware for enhanced theft protection

Features

- Two-piece design for quick and easy installation
- Mounts to any flat surface such as desktop or wall
- Allows easy access to device connections
- Offers visibility of front indicator lights and toggle button
- HD Flow™ Pro device can be removed for maintenance without uninstalling enclosure
- High-gloss finish complements HD Flow™ Pro device's polished aesthetics
- Heavy duty 14-gauge steel construction for enhanced security

Offering new placement possibilities in public spaces, this Security Enclosure is a simple two-piece design that comes together to form a locked compartment to securely store the HD Flow™ Pro wireless transmitter or receiver. The enclosure allows user access to all rear connections as well as offers open space for visibility of the front panel indicators and access to the input toggle button. The Security Enclosure quickly installs to virtually any flat surface such as under a desk, onto a wall or tabletop with the provided hardware.

HDS-ASE: Security Enclosure for use with HDS100 and HDS200 models

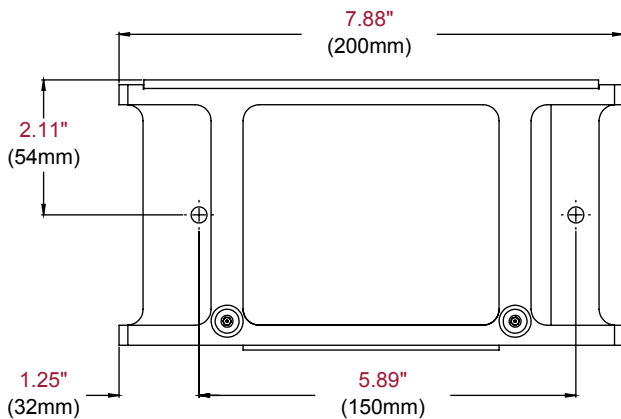
Product Specifications

	DIMENSIONS (W x H x D)	PRODUCT WEIGHT	AVAILABLE COLOR(S)
HDS-ASE	7.88" x 4.22" x 1.66" (200 x 107 x 42mm)	0.53lb (0.24kg)	High Gloss Black

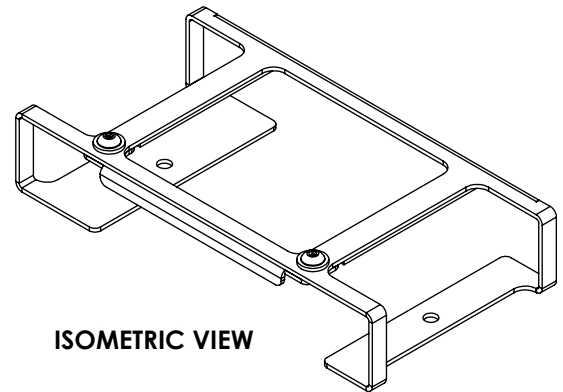
Package Specifications

	PACKAGE SIZE (L x W x H)	PACKAGE SHIP WEIGHT	PACKAGE UPC CODE	PACKAGE CONTENTS	UNITS IN PACKAGE
HDS-ASE	14.375" x 6.75" x 3" (365 x 171 x 76mm)	1.2lb (.54kg)	735029292920	Security Bracket, Locking Flange, Assembly and Mounting Hardware	1

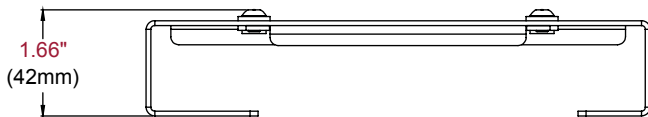
All dimensions = inch (mm)



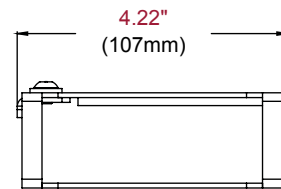
TOP VIEW



ISOMETRIC VIEW



FRONT VIEW



SIDE VIEW

ARCHITECTS SPECIFICATIONS

The Security Enclosure shall be a Peerless-AV model HDS-ASE and shall be located where indicated on the plans. Assembly and installation shall be done according to instructions provided by the manufacturer.